



# Gooding

**& ASSOCIATES, INC.**

PO Box 1690  
15 Dinah Rock Road  
Shelter Island, N.Y. 11964  
Tel. (631) 749-3313 • Fax (631) 749-3356  
[www.goodingassociates.com](http://www.goodingassociates.com)

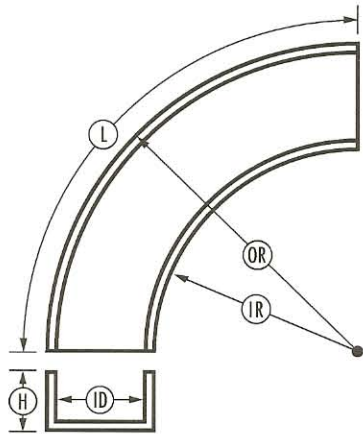
COMPANY NAME		JOB NAME	
PHONE	FAX	CONTACT NAME	
CUSTOMER PO		SPECIAL TAG	
DATE ORDERED		DATE REQUIRED	
		<input type="radio"/> DELIVERY <input type="radio"/> WILL CALL	

## CURVED WALL TRACK

SHOP OFFICE USE ONLY

JOB NO	COST CODE
—	—

PAGE  OF



QTY	GAGE	LENGTH	ID	HEIGHT	INSIDE RADIUS	OUTSIDE RADIUS

SHOP OFFICE USE ONLY

<input type="radio"/> HVAC SHOP <input type="radio"/> WELDING SHOP <input type="radio"/> SHIPPING DEPARTMENT	QUALITY CONTROL	W.S.# _____
	CHECKED BY _____	DATE _____
	SHIPPING AREA _____	SIGNED _____