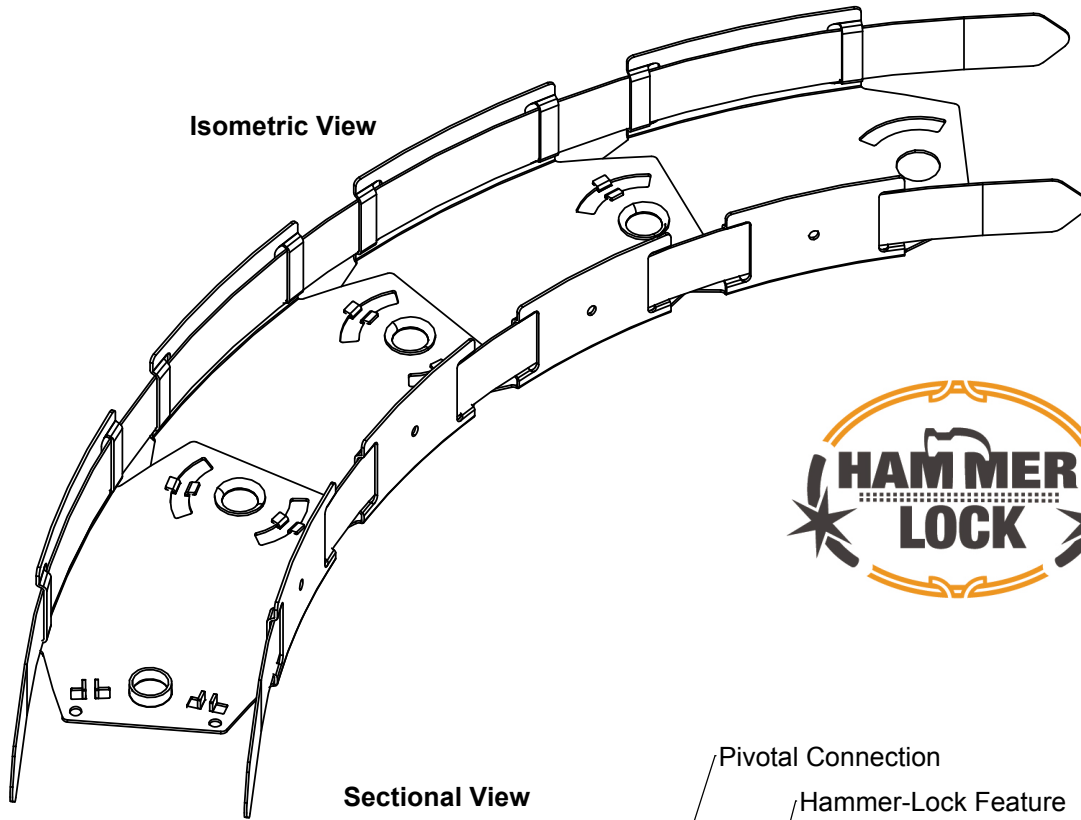


Product Detail

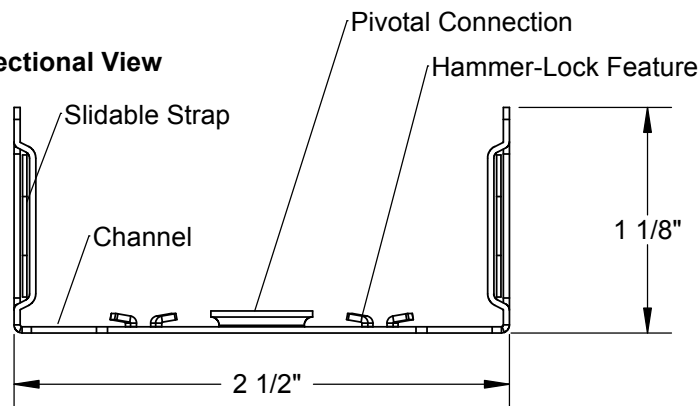
2 1/2" - 20 Ga.

Flex-C Trac

Isometric View



Sectional View



Specifications

Channel:

- ASTM A653, structural grade 33, hot dipped galvanized steel
- Standard protective coating equal or superior to ASTM A653 coating designation G-40 or A-40
- 20 gauge
- Length: 10'

Slidable Strap:

- ASTM A653, structural grade 80, galvanized steel
- Standard protective coating equal or superior to ASTM A653 coating designation G-60 or A-60

Dimensions: .750" x .025"

**FLEX-ABILITY
CONCEPTS**

5500 SW 36th Street
 Oklahoma City, OK 73179
 Tel: 405-996-5343 Fax: 405-996-5353
 E-mail: info@flexabilityconcepts.com
 Web: www.flexabilityconcepts.com

Distributor:
 Contractor:
 Project:
 Product Detail: PDM1

Quantity:
 Approved By:
 Architect:
 Date: