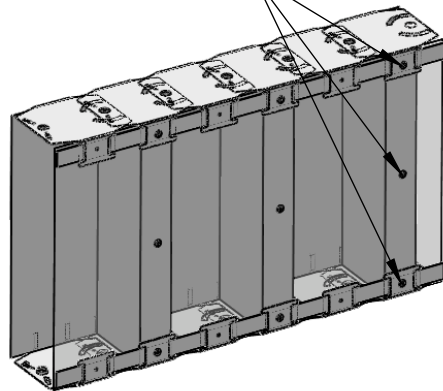


# Product Detail

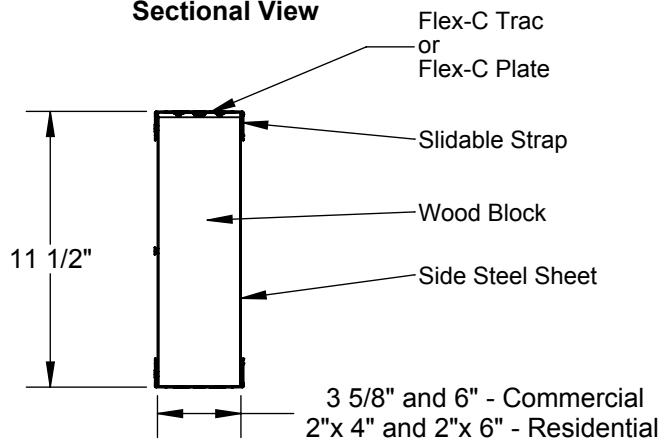
# Flex-C Header

## Isometric View

3 Fasteners (Screws or Nails) per block, each side. (For securing desired curve.)



## Sectional View



## Specifications

**Length: 8'**

**Widths:**

For Wood Studs: 2"x4", 2"x6"  
For Steel Studs: 3 5/8", and 6"

**Minimum Radius: 18"**

	Thickness	Grade	Coating/Treatment
Side Steel Sheet	16 Ga.	50	G60 or Better
Flex-C Channel	20 Ga.	33	G60 or Better
Flex-C Strap	0.023"	80	G60 or Better
Wood Blocks Commercial*	1 1/2"	#2	Fire Treated
Wood Blocks Residential*	1 1/2"	#2	-----

*\* Factory installed inside Flex-C Header*

## Recommended Fasteners

### Single Openings:

Screws: #10x1 1/4" self drilling ASTM C954-93-Not Provided  
Nails: 0.131"x1 1/2" Positive Placement Heat Treated-Not Provided

### Multiple Openings:

Screws: #8 x1 1/4" self drilling ASTM C954-93- Provided  
Nails: 0.131"x1 1/2" Positive Placement Heat Treated- Not Provided

**Note: Please refer to the Flex-C Header cut sheet for installation instructions and proper layout instructions which must be followed.**

**FLEX-ABILITY  
CONCEPTS**

5500 SW 36th Street  
Oklahoma City, OK 73179  
Tel: 405-996-5343 Fax: 405-996-5353  
E-mail: [info@flexabilityconcepts.com](mailto:info@flexabilityconcepts.com)  
Web: [www.flexabilityconcepts.com](http://www.flexabilityconcepts.com)

Distributor:  
Contractor:  
Project:  
Product Detail: PDM35

Quantity:  
Approved By:  
Architect:  
Date: